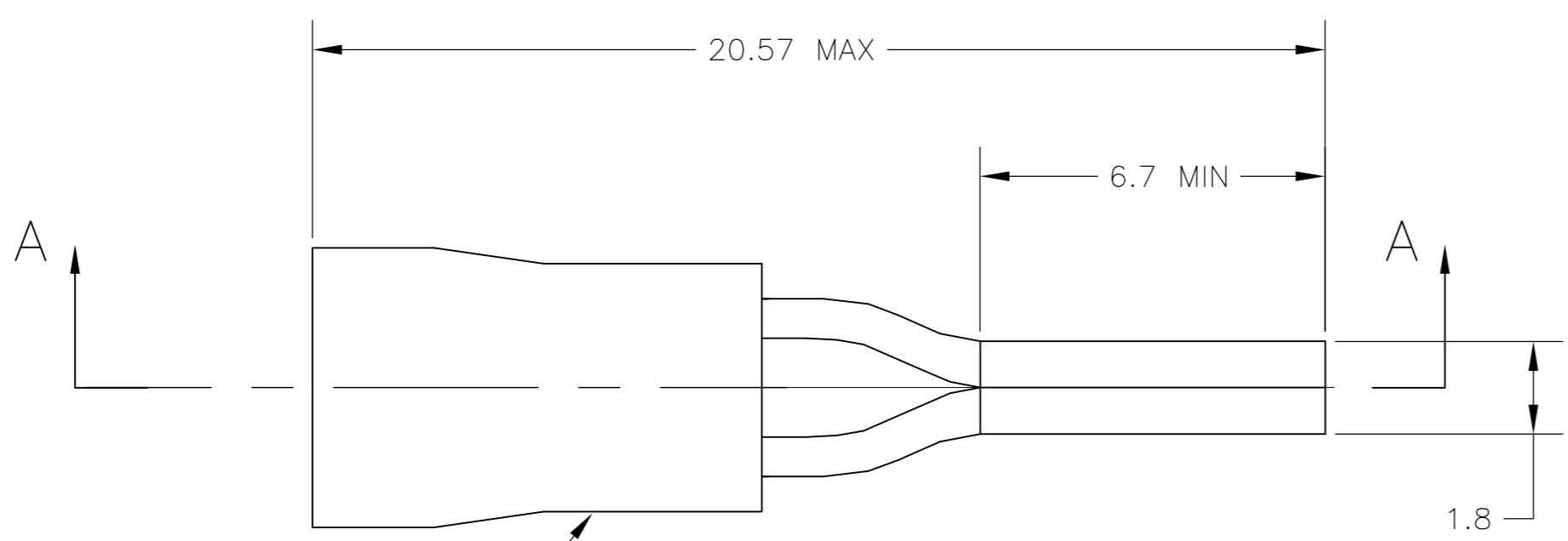
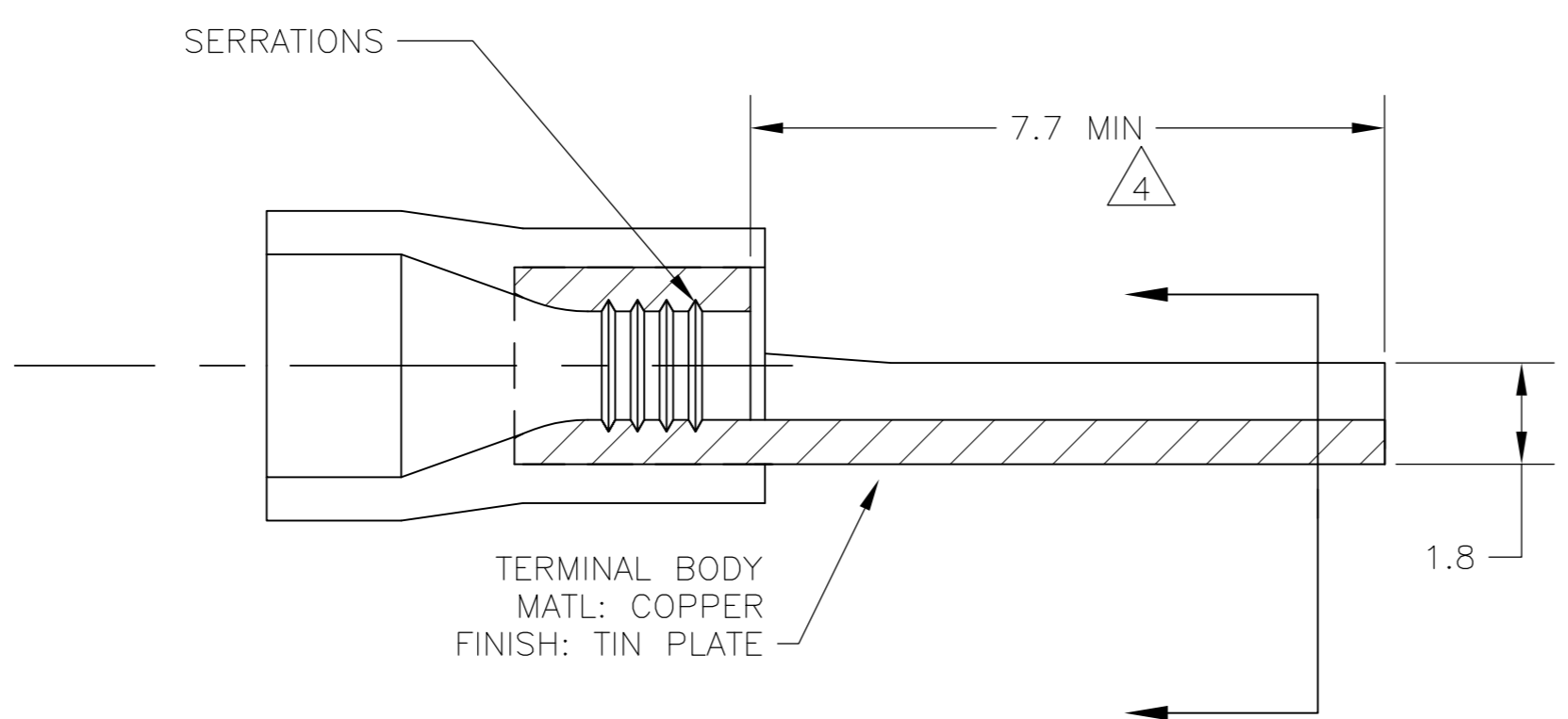


THIS DRAWING IS UNPUBLISHED. RELEASED FOR PUBLICATION  
 © COPYRIGHT BY TYCO ELECTRONICS CORPORATION. ALL RIGHTS RESERVED.

| LOC | DIST | REVISIONS   |                       |         |       |
|-----|------|-------------|-----------------------|---------|-------|
| P   | LTR  | DESCRIPTION | DATE                  | DWN     | APVD  |
| G   | 14   | C           | REV PER ECR 07-023647 | 12OCT07 | jr TM |

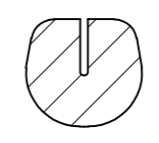


INSULATION SLEEVE  
 MATERIAL: PVC  
 COLOR: BLUE



SECTION A-A

- 1 WIRE SIZE IS #16-#14 AWG
- 2 INSULATION DIA: 3.0-4.9
- 3 MATERIAL THICKNESS IS 0.8
- 4 DIMENSION APPLIES FROM EDGE OF METAL WIRE BARREL TO END OF PIN



|             |           |          |         |
|-------------|-----------|----------|---------|
| PLASTIC BAG | STANDARD  | 1000     | 181631  |
| PACKAGING   | LABELLING | QTY BLUE | PART NO |

|                                        |  |                                  |                                                           |                    |
|----------------------------------------|--|----------------------------------|-----------------------------------------------------------|--------------------|
| THIS DRAWING IS A CONTROLLED DOCUMENT. |  | DWN<br>jr ruth<br>02FEB06        | Tyco Electronics Corporation<br>Harrisburg, PA 17105-3608 |                    |
| DIMENSIONS:<br>INCHES                  |  | CHK<br>T MICHIELUTTI<br>02FEB06  | NAME<br>TERMINAL, WIRE PIN, PLASTI-GRIP,                  |                    |
| TOLERANCES UNLESS OTHERWISE SPECIFIED: |  | APVD<br>T MICHIELUTTI<br>02FEB06 | PRODUCT SPEC<br>-                                         |                    |
| 0 PLC ± -                              |  | APPLICATION SPEC<br>-            | SIZE<br>A2                                                | CAGE CODE<br>00779 |
| 1 PLC ± 0.5                            |  | WEIGHT<br>-                      | DRAWING NO<br>181631                                      | RESTRICTED TO<br>- |
| 2 PLC ± -                              |  | MATERIAL<br>-                    | SCALE<br>8:1                                              | SHEET<br>1 of 1    |
| 3 PLC ± -                              |  | FINISH<br>-                      | REV<br>C                                                  |                    |
| 4 PLC ± -                              |  |                                  |                                                           |                    |
| ANGLES ± 1°                            |  |                                  |                                                           |                    |
| CUSTOMER DRAWING                       |  |                                  |                                                           |                    |

181631